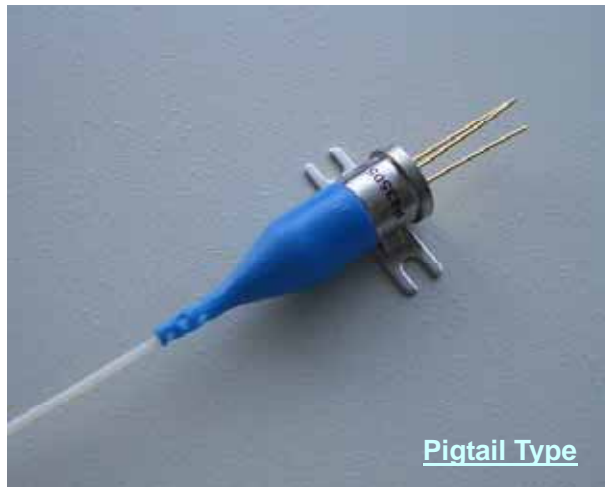


Wideband Analog PIN Photodiode Module



Applications

CATV forward-path and return-path
 Wireless communications
 Wideband analog transmission

Features

High responsivity typ. 0.95A/W
 Wide frequency range > 3GHz
 Low distortion
 Low dark current
 Low back reflection
 High reliability design (YAG welding)
 Proven reliability (Telcordia GR-468-CORE Qualified)

Descriptions

The APDMH series of PIN photodiode module is designed for wideband fiber-optic analog receivers in CATV systems and other wideband analog transmission systems. The module provides low inter-modulation distortions, wide frequency range of >3GHz and high responsivity. The module is housed in a hermetically sealed small coaxial package.

Absolute Maximum Ratings

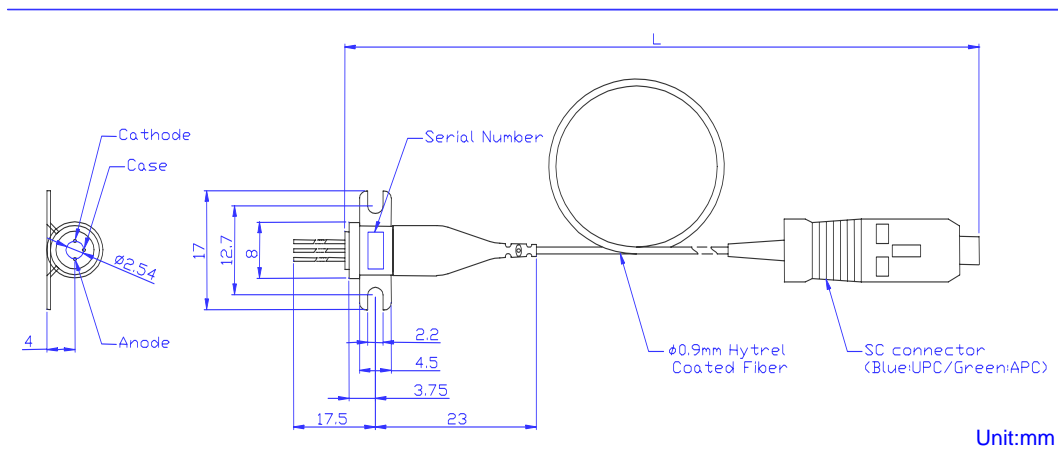
| Parameter | Sym | Min | Max | Unit | Conditions |
|-----------------------|------|-----|-----|------|-----------------------|
| Storage Temperature | Tstg | -40 | 85 | °C | - |
| Operating Temperature | Top | -10 | 70 | °C | include connector |
| | | -20 | 80 | °C | not include connector |
| Soldering Temperature | Ts | - | 260 | °C | Max.10sec |
| Optical Input Power | Pin | - | 7 | dBm | - |
| Reverse Voltage | Vr | 4.5 | 30 | V | - |

Optical Characteristics (Top=25°C,Vr=5V)

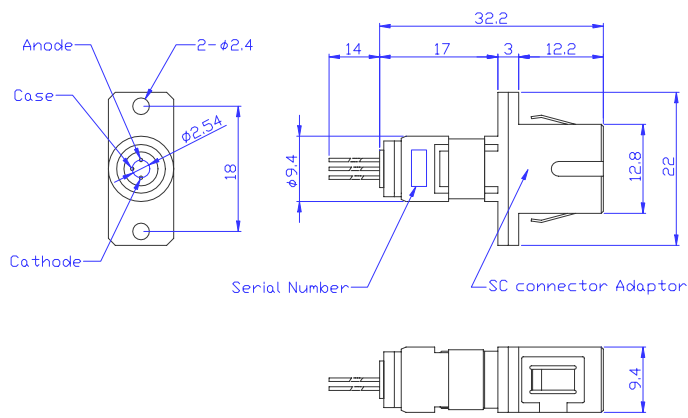
| Parameter | Sym | Min | Typ | Max | Unit | Conditions |
|----------------------|----------|------|------|------|------|---|
| Wavelength | WL | 1100 | - | 1650 | nm | - |
| Responsivity | R | 0.75 | 0.85 | - | A/W | WL=1310nm,include connector loss |
| | | 0.81 | 0.95 | - | A/W | WL=1550nm,include connector loss |
| 2nd Order Distortion | IMD2 | - | -70 | -60 | dBc | 0dBm, MI=70%,12V, 2 tone test (244&250MHz) |
| 3rd Order Distortion | IMD3 | - | -80 | -70 | dBc | |
| Dark Current | ID | - | - | 1.0 | nA | - |
| Capacitance | Ct | - | 0.57 | 0.7 | pF | without case grounded |
| Cut-off Frequency | fc(-3dB) | 3 | - | - | GHz | -3dB point, 50Ωload |
| Optical Return Loss | RL | 40 | 47 | - | dB | - |

Dimensions and Pin Assignments

- Pigtail Type -



- Receptacle Type -



Ordering Information

- Pigtail Type -

ODET-APDMH□-HF□□□-□□/□□□

| Fiber Type | |
|------------|---------------------|
| Nothing | SMF (ITU-T G.652) |
| 2 | MMF (ITU-T G.651) |

| Pigtail Length : L | |
|--------------------|--------------|
| 038 | 0.37 ~ 0.40m |
| 100 | 0.90 ~ 1.10m |

| Connector Type | |
|----------------|------------------|
| SC/UPC | SC/UPC connector |
| SC/APC | SC/APC connector |
| N/N | non connector |

- Receptacle Type -

ODET-APDMH2-RFPD-UPC

OKANO Electric Wire Co., Ltd.

1-5-28 Fukaminishi, Yamato,
 Kanagawa 242-8501 JAPAN

TEL +81-46-261-3122
 FAX +81-46-264-9150
 www.okano-cable.co.jp

Okano Electric Wire Co, Ltd. reserves the right to change data contained in this document in the interest of continued product improvement. Okano Electric Wire Co., LTD. is unable to assume responsibility for infringement of any patent rights of third parties arising from the use of this information. The content of this document may not be reproduced or copied without the permission of Okano Electric Wire Co., LTD.
 All Rights Reserved, Copyright © OKANO Electric Wire CO., LTD